

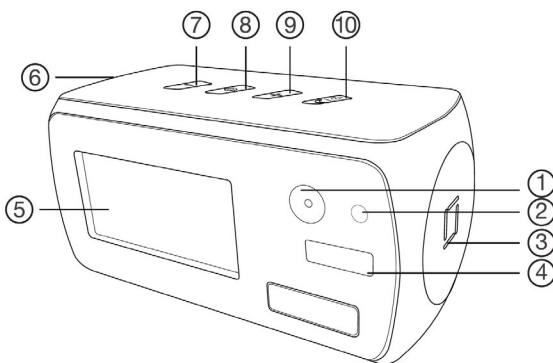
DK-CL5-TUY

WiFi DVR camera

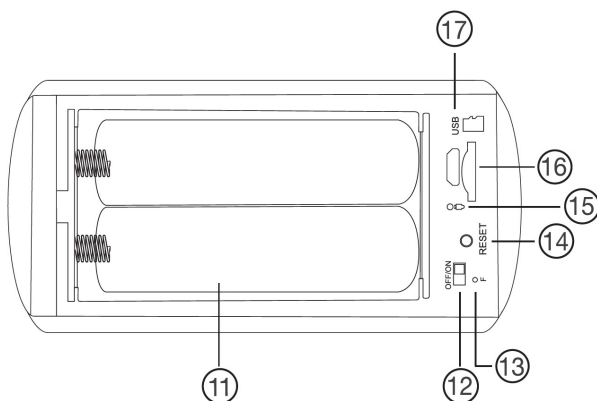


Product description

DK-CL5-TUY is a video recorder equipped with an integrated camera hidden in an elegant table clock.



1. Objective
2. Brightness sensor
3. Clock speakers
4. Invisible infrared illuminators
5. Clock display
6. Camera speaker
7. + button
8. Clock setting button
9. Button -
10. Alarm button



11. Lithium battery
12. ON/OFF clock-camera switch

13. WiFi network LED indicator
14. Reset button
15. LED charging indicator
16. microSDcard slot
17. Micro USB port

Power

The camera is able to operate solely on its own internal 3Ah battery which allows approximately 4 hours of battery life. For greater autonomy you can also insert a second 18650 battery with cap on the positive side (not supplied).

The battery is recharged by connecting a USB power supply (not supplied) with the included cable. The LED (15) lights up red during charging and turns off when charging is complete. Full charging takes approximately 6 hours. It is advisable to place the camera switch in the OFF position during charging.

The DVR can also work powered by the mains, with the 220V/USB power supply always connected and the camera switch set to ON. In this case you keep the USB cable connected even during operation and the camera has unlimited autonomy.

Use as a watch

DK-CL5-TUY is an investigative camera but it is also a real digital watch that works perfectly so as not to arouse any suspicion.

To adjust the clock, do the following:

1. Charge the internal battery well
2. Press the button (8) to activate the time adjustment
3. Adjust the time with the +/- buttons (7)(9)
4. Press the button (8) to confirm and move on to adjusting the minutes, alarm, year, month, day

Storing videos

Video files are stored on a micro SD card (not supplied). The videos have Full HD 1920x1080 resolution at 25 f/sec.

It is possible to use micro SD of any brand up to 128 GB capacity.

Obviously we recommend using motion detection recording, where possible, so as to only record significant images and not needlessly occupy memory when no action is taking place in front of the lens.

Once the memory space runs out, the DVR automatically overwrites the oldest files.

It should be noted that the Tuya system does not allow you to explore the files stored on the SD card. To save video files you need to play the videos from the app and record them during playback.

Inserting the micro SD card

The first thing to do, if you want to make recordings, is to insert the micro SD card into the appropriate slot in the DVR (16) which can be accessed by removing the rear door.

It is possible to use micro SD cards with capacities up to **128 GB in CLASS 10** or higher.

A class 10 SD card has a writing speed of 10 MB/s. Do not use SD cards with slower speeds as they would cause malfunctions.

Pay attention to the direction of insertion of the SD card which will slide into its seat only respecting the shape next to the slot.

No micro SD card is included in the package.

Battery charging

Before using the appliance it is advisable to fully recharge the battery. To do this, first you must remove any plastic protection that isolates the battery. Then connect the DVR's USB port to your computer or USB charger with the supplied cable. Full charging takes approximately 6 hours depending on the initial state of charge. It is advisable to comfortably leave the charging to complete overnight.

Next to the USB socket there is a red LED which lights up during charging and turns off when charging is complete.

Turning on the device

DK-CL5-TUY is equipped with a power switch on the back (12). If you keep this switch OFF, the device is turned off and can only be recharged. Turn the selector to ON to turn on. When turned on, the DVR turns on the display and a blue LED (13) lights up on the back, signaling the WiFi status (flashing = not connected to wifi, solid = connected to wifi network and app).

To use the product you need to use a smartphone or tablet with the SmartLife or Tuya smart app.

Download HDSmartIPC and setup

DK-CL5-TUY was developed to be controlled remotely via wifi with a mobile phone or tablet.

First you need to download the application from Google Play or Apple Store **SmartLife or Tuya Smart**, available for free for Android and iOS.

To use the program, see [specific manual](#).

IR illumination

DK-CL5-HDS is equipped with invisible infrared illuminators with a range of approximately 10 meters. They turn on and off automatically when the ambient light is not sufficient for color shooting. Infrared imaging is monochromatic.

Audio

DK-CL5-HDS is equipped with a microphone for ambient listening and a speaker for two-way dialogue

Reset the DVR

If necessary, you can carry out a RESET by pressing the reset button (14) for 8 seconds until a dingdong sound is played. After rebooting, which takes approximately 30 seconds, the DVR will return to factory settings, with the blue LED flashing waiting for configuration. After the reset, you will need to delete the device in the app and reconfigure it as new. ATTENTION: It is not possible to download the files via the DVR's USB cable because this is only used to recharge/power the device.

Main technical characteristics

Sensor	CMOS
Maximum resolution	FullHD 1080p (1920x1080)
Frame rate	30 f/sec
Video format	Tuya
Photo format	Tuya
Overlay	Date time (excludable)
Functions	Continuous recording Motion recording Timer recording Live viewing only
Audio microphone	Incorporated
Audio speaker	Incorporated
IR illuminator	Invisible 10 m.
Temperature operation	Of - 5° +40°C
Memory	MicroSD Class 10 or higher
Memory capacity	4..128GB